

WIDE SPAN SHELVING



R.W. Rogers Company
610 S. Kirk Rd., St. Charles, Il 60174
Phone: 630-377-9033 * Fax: 630-377-2073
<http://www.rwrogerscompany.com>

Wide Span Shelving



Wide Span Shelving

Wide span shelving is designed for storage areas in which goods are handled manually instead of being transported on a pallet.

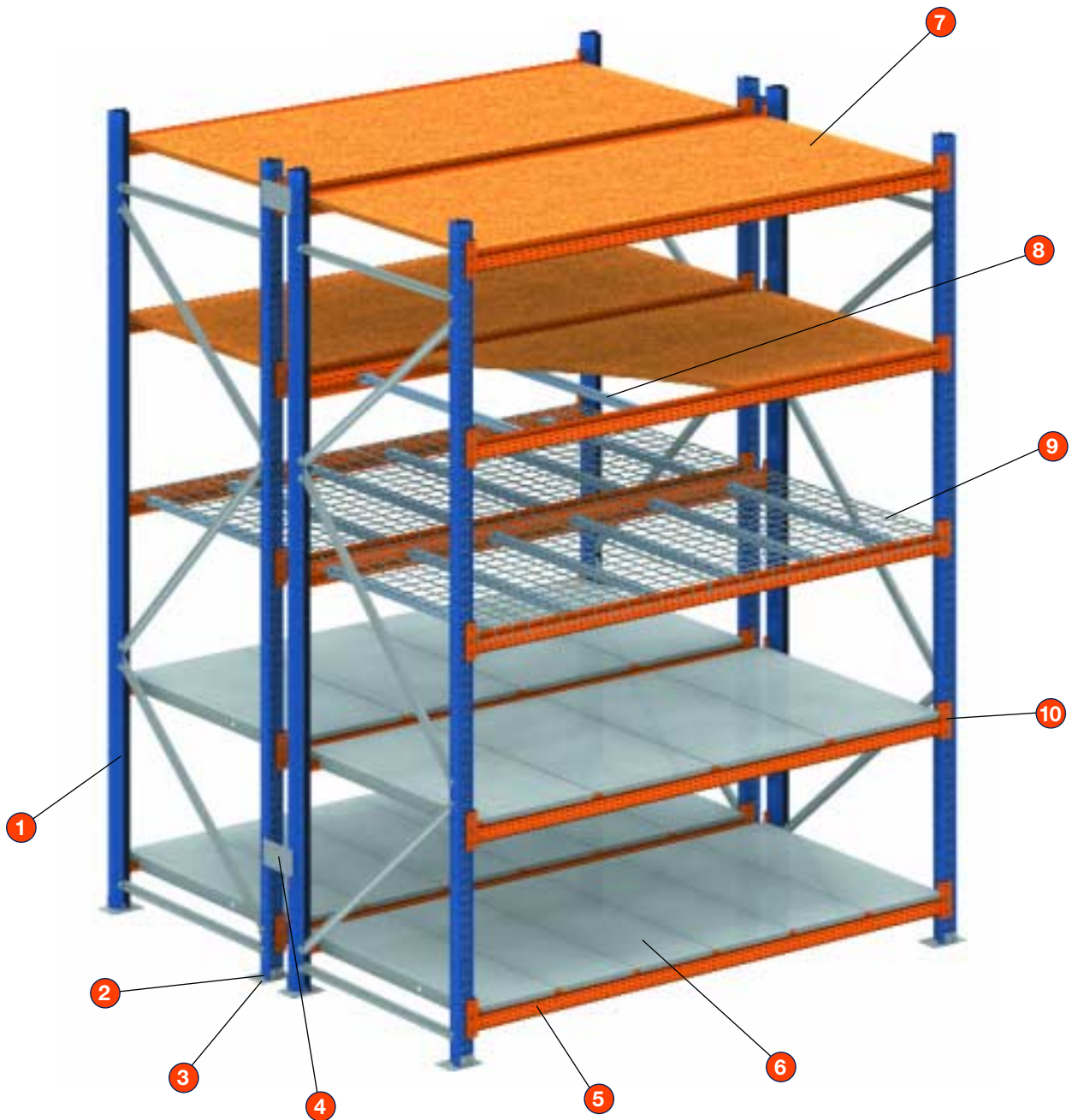
The system is ideal when there are many different products (SKUs), when the quantities are small or variable, and when rotation is only partial.

The system is designed for hand-loading medium to heavy loads. It can accommodate either our galvanized shelf panels or the traditional particle board as the shelving surface.

Our unique 2" post design eliminates down aisle growth as well as wasted space behind the post.



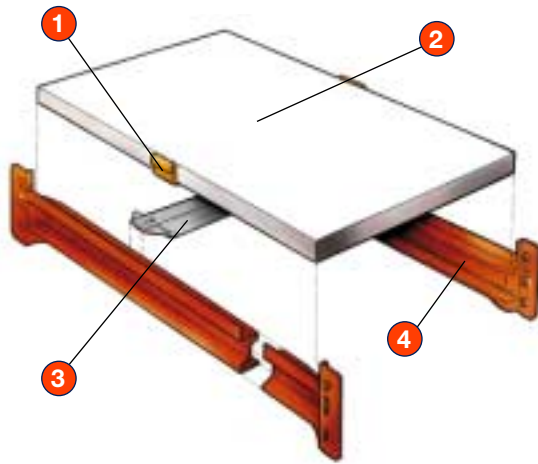
Wide Span Shelving Components



- | | | |
|--------------|------------------------------|-------------------|
| ① Frame | ⑤ Z Beam | ⑨ Wire Deck Shelf |
| ② Footplate | ⑥ Galvanized Shelf | ⑩ Safety Pin |
| ③ Shim | ⑦ Particle Board Shelf | |
| ④ Row Spacer | ⑧ Cross-tie for Wooden Shelf | |

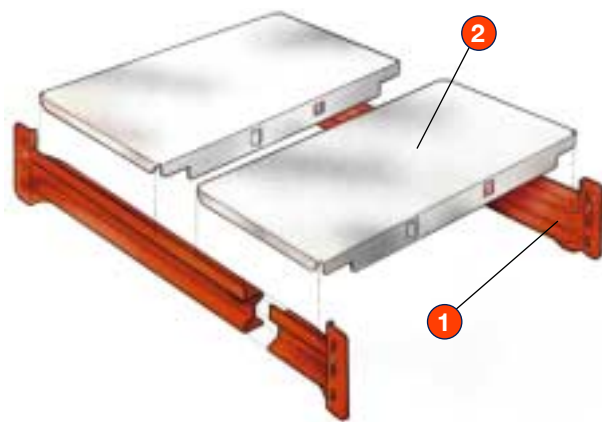
Wide Span Shelving Components

PARTICLE BOARD SHELVING



- 1 Wood Retainer
- 2 Particle Board Shelf
- 3 Cross-tie
- 4 Beam

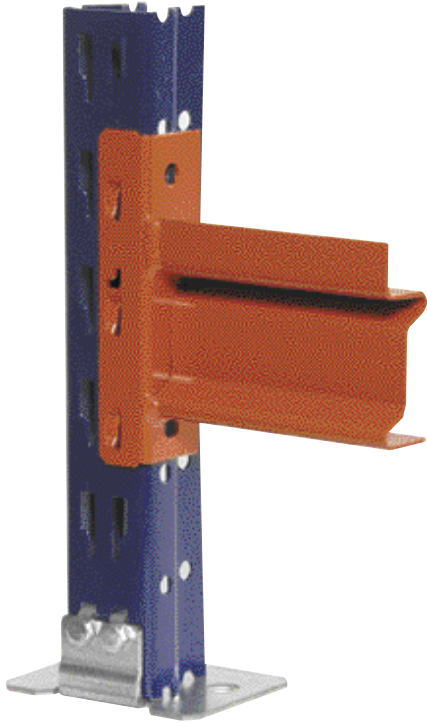
METAL SHELVING



- 1 Beam
- 2 Metal Shelf

Standard beam lengths vary from 48" to 96". Depths vary from 18" to 48". Cross-ties are available for wooden shelves to increase load capacity.

Wide Span Shelving Components



U7515 POSTS	DIMENSIONS	GA
	X = 1-15/16"	16
	Y = 2-1/32"	
ZS BEAMS	DIMENSIONS	GA
	H = depends on beam model*	14
	D = 1-3/16"	
		ZS Beams are used with either particle board or metal shelves
	*ZS-U35: 1-3/8", ZS-U55: 2-5/32", ZS-U65: 2-9/16"	
MS-65 BEAMS	DIMENSIONS	GA
	H = 2-9/16"	14
	D = 1-3/16"	
		MS-65 Beams are used with wire decks



Wide Span Shelving Load Capacity

PROFILE TYPE U7515 POSTS	VERTICAL SPACING (in inches)									
	10"	20"	30"	40"	50"	60"	70"	80"	90"	100"
Max. Load per Frame (in lbs)	9,570	8,952	8,489	7,938	7,144	6,174	5,072	4,234	3,440	2,911

UNIFORMLY DISTRIBUTED LOAD TABLE (in lbs) PER PAIR OF BEAMS FOR DEFLECTION L/200				
LENGTH OF BEAMS (in inches)	PROFILE			
	ZS-U35	ZS-U55	ZS-U65	MS-U65
48"	1,213	-	-	3,021
54"	1,058	-	-	2,690
60"	970	-	-	2,403
72"	-	1,764	1,985	2,007
78"	-	1,654	1,808	1,874
84"	-	1,566	1,742	1,720
90"	-	1,455	1,654	1,588
92"	-	1,389	1,566	1,477
96"	-	1,213	1,433	1,411

