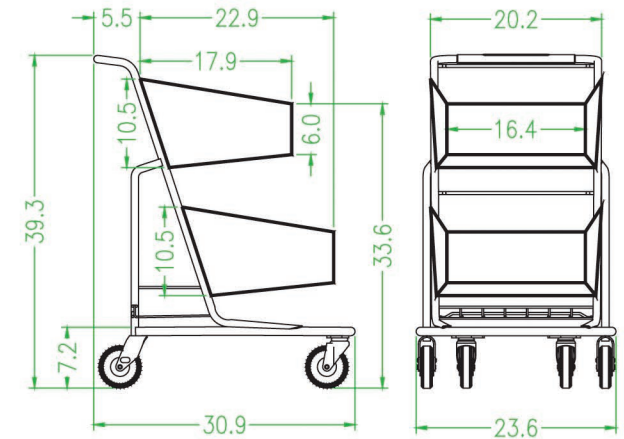




MODEL			
132 C			
TOTAL CAPACITY	6,200	in ³	FINISH
BASKET CAPACITY	2X2,100	in ³	
NESTING	10 1/2	in	
WEIGHT	53	lbs	
TRAILER CAPACITY 102 in X 53 ft	560	shop. carts	
		CHROME, NYLON BASKET MULTICOLOR POWDER	NO
		ONE COLOR POWDER OVER E-COAT	YES

FEATURES

Powder over E-coat - provides corrosion protection inside the tubing.
 Double wire truss basket - stronger, lighter.
 7 ga. (0.177) rear casters - stronger, cleaner, self aligning.
 Integrated handle, rear casters, truss between rear wheels - much stronger.
 Integrated 1" tube, 1/4 X 1 1/2 caster plates - much stronger, cleaner.
 Welded lower tray - lighter, quieter, protects powder.
 Accepts "bumper / caster lifts" - easier to maneuver line of nested carts, less ware on rear wheels, protects powder.



R.W. Rogers Company

610 S. Kirk Rd., St. Charles, IL 60174
 Phone: 630-377-9033 * Fax: 630-377-2073
<http://www.rwrogerscompany.com>



MODEL NUMBER
132C

NAME
CONVENIENCE CART

DATE
08/19/09