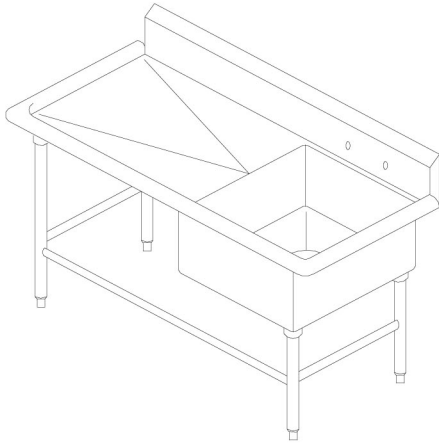


"1PB-1DB" Pro-Bowl Sinks

One Compartment Sinks w/ 1 Drainboard
w/ Galvanized Base & Bracing



PREMIUM: 14 ga. 304 S/S welded Bowls
14 ga. 304 S/S Drainboard and Splash
10" Back Splash



STANDARD: 16 ga. 304 S/S welded Bowls
16 ga. 304 S/S Drainboard and Splash
10" Back Splash

FEATURES:

- * Standard 16 Gauge (optional 14 gauge)
Type 300 stainless steel with # 3 polish, satin finish
- * 12" Deep Bowls (optional 14" deep bowls)
- * All Corners, both vertical and horizontal, coved at 5/8" radius
- * Bottoms of bowls formed for drainage to 3-1/2" diameter die stamped opening
- * Full length **10" High Boxed Backsplash**, with 2" return to wall at 45 degree and 3/4" turned down rear lip
- * 1-1/2" Faucet Holes in Backsplash
- * Solid Stainless Steel front panel, type 300 stainless steel with # 3 polish, satin finish
- * All outside corners of assembly are Bullnosed to provide safe, clean and polished edge
- * Standard legs 1-5/8" diameter, 16 gauge galvanized steel 100% pre-galvanized steel - **Not Plated** (optional stainless steel)
- * Legs located directly under sink bowls, providing increased stability and maximum weight support

CONSTRUCTION:

- Top:** Stainless Steel Sinks are TIG welded, Exposed welds are polished to match adjacent surface.
- Bases:** Galvanized Bases are MIG welded

MATERIAL:

- Bowls & Top:** 16 gauge stainless Steel (optional 14 Gauge)
Type 300 stainless steel with # 3 polish, satin finish
- Legs:** 1 5/8" Round O.D., 16 gauge galvanized steel
100% pre-galvanized steel - **Not Plated**
- Bracing:** 1 1/4" Round O.D., 16 gauge galvanized steel
100% pre-galvanized steel - **Not Plated**
- Gussets:** Stainless Steel
- Feet:** 1" adjustable galvanized bullet feet

STANDARD 16 Gauge		PREMIUM 14 Gauge	
	Qty		Qty
1PB1618-1D18		41PB1618-1D18	
1PB1618-1D24		41PB1618-1D24	
1PB18-1D18		41PB18-1D18	
1PB18-1D24		41PB18-1D24	
1PB18-1D30		41PB18-1D30	
1PB1824-1D18		41PB1824-1D18	
1PB1824-1D24		41PB1824-1D24	
1PD1824-1D30		41PD1824-1D30	
1PB24-1D24		41PB24-1D24	
1PB24-1D30		41PB24-1D30	
1PB3024-1D30		41PB3024-1D30	
1PB3024-1D36		41PB3024-1D36	

**Must specify Left or Right
Drainboards**

Bowl Sizes:

16" X 18"	18" X 24"
16" X 20"	24" X 24"
18" X 18"	30" X 24"

OPTIONAL ACCESSORIES

	Qty
END SPLASHS, RIGHT , LEFT or BOTH	
14" DEEP BOWLS	
14 GAUGE	
FAUCETS	
ADD-A-FAUCETS	
PRE-RINSE UNITS	
LEVEL WASTE	
OVERSHELVES	
POT RACK	
STAINLESS STEEL FEET	

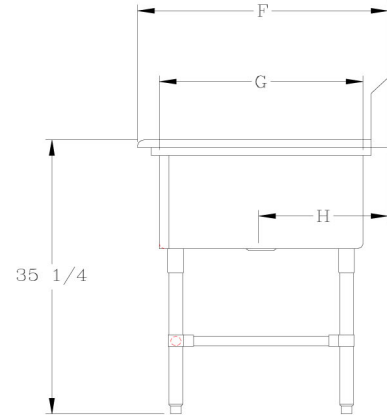
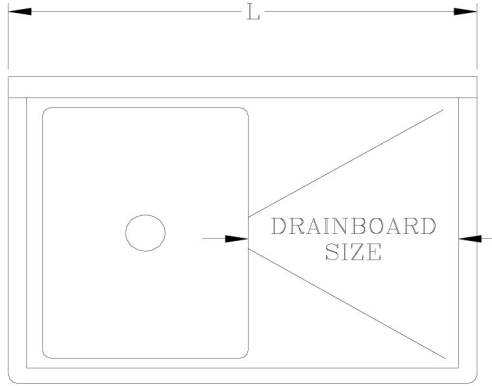


R.W. Rogers Company
610 S. Kirk Rd., St. Charles, IL 60174
Phone: 630-377-9033 * Fax: 630-377-2073
<http://www.rwrogerscompany.com>

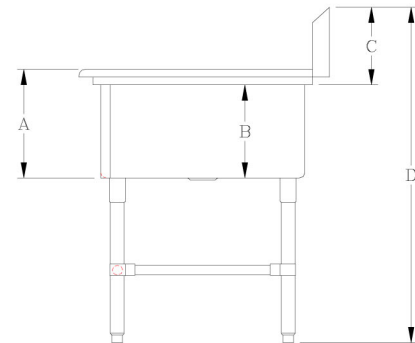


DETAILED SPECIFICATIONS

BOWLS	F	G	H
16 X 18	23-1/2"	18"	11-15/16"
16 X 20	25-1/2"	20"	12-15/16"
18 X 18	23-1/2"	18"	11-15/16"
18 X 24	29-1/2"	24"	14-15/16"
24 X 24	29-1/2"	24"	14-15/16"
30 X 24	29-1/2"	24"	14-15/16"



A	14"
B	12"
C	10"
D	43"



STANDARD 16 GAUGE				
MODEL	BOWL SIZE	DIMENSIONS	DB	WT.
1PB1618-1D18	16 X 18 X 12	38-3/16" X 23-1/2"	18"	155
1PB1618-1D24	16 X 18 X 12	44-3/16" X 23-1/2"	24"	160
1PB18-1D18	18 X 18 X 12	40-3/16" X 23-1/2"	18"	160
1PB18-1D24	18 X 18 X 12	46-3/16" X 23-1/2"	24"	165
1PB18-1D30	18 X 18 X 12	52-3/16" X 23-1/2"	30"	170
1PB1824-1D18	18 X 24 X 12	40-3/16" X 29-1/2"	18"	170
1PB1824-1D24	18 X 24 X 12	46-3-16" X 29-1/2"	24"	180
1PB1824-1D30	18 X 24 X 12	52-3/16" X 29-1/2"	30"	185
1PB24-1D24	24 X 24 X 12	52-3/16" X 29-1/2"	24"	190
1PB24-1D30	24 X 24 X 12	58-3/16" X 29-1/2"	30"	205
1PB3024-1D30	30 X 24 X 12	64-3/16" X 29-1/2"	30"	220
1PB3024-1D36	30 X 24 X 12	70-3/16" X 29-1/2"	36"	230

PREMIUM 14 GAUGE				
MODEL	BOWL SIZE	DIMENSIONS	DB	WT.
41PB1618-1D18	16 X 18 X 12	38-3/16" X 23-1/2"	18"	170
41PB1618-1D24	18 X 18 X 12	44-3/16" X 23-1/2"	24"	157
41PB18-1D18	18 X 24 X 12	40-3/16" X 23-1/2"	18"	176
41PB18-1D24	24 X 24 X 12	46-3/16" X 23-1/2"	24"	180
41PB18-1D30	18 X 18 X 12	52-3/16" X 23-1/2"	30"	187
41PB1824-1D18	18 X 24 X 12	40-3/16" X 29-1/2"	18"	187
41PB1824-1D24	18 X 24 X 12	46-3-16" X 29-1/2"	24"	198
41PB1824-1D30	18 X 24 X 12	52-3/16" X 29-1/2"	30"	203
41PB24-1D24	24 X 24 X 12	52-3/16" X 29-1/2"	24"	209
41PB24-1D30	24 X 24 X 12	58-3/16" X 29-1/2"	30"	225
41PB3024-1D30	30 X 24 X 12	64-3/16" X 29-1/2"	30"	242
41PB3024-1D36	30 X 24 X 12	70-3/16" X 29-1/2"	36"	253

All dimensions are typical.

Tolerance +/- .500".

All units ship unassembled for reduced shipping cost.



R. W. Rogers Company
 610 S. Kirk Rd., St. Charles, IL 60174
 Phone: 630-377-9033 * Fax: 630-377-2073
<http://www.rwrogerscompany.com>

