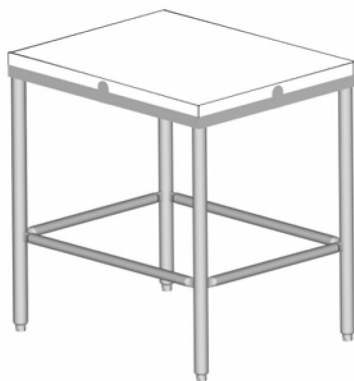


"GMT" Stainless Steel Breaking Tables

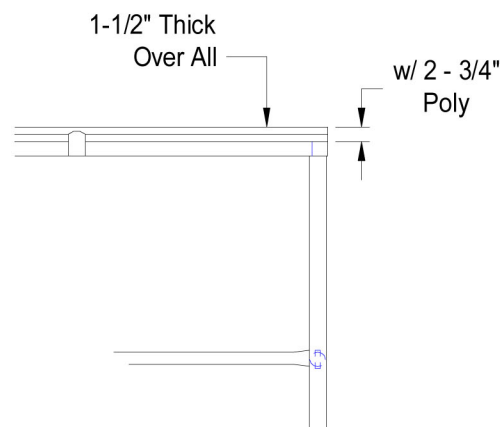
w/ 1 1/2" High Density Polyethylene Flat Top (w/ 2-3/4" pieces)
w/ Stainless Steel Base and Bracing



1 1/2" POLY TOP w/ STAINLESS STEEL BASE and BRACING					
24"WIDE	Qty	30"WIDE	Qty	36"WIDE	Qty
GMT001		-		-	
GMT002		GMT008		-	
GMT003		GMT009		GMT014	
GMT004		GMT010		GMT015	
GMT005		GMT011		GMT016	
GMT006		GMT012		GMT017	
GMT007		GMT013		GMT018	

FEATURES:

- * 1 1/2" thick **High Density Polyethylene Top** (w/ 2-3/4" pieces) sectioned per National Sanitation Foundation regulations also available with 1 1/2" thick Hard Rock Maple Top, top style "SCT" flat top
- * One piece High Density Polyethylene Top available at no extra charge must specify
- * Top is held in place by welded clips, removable for ease in cleaning
- * Stainless Steel Base, Bracing
Type 300 stainless steel with # 3 polish, satin finish
- * Adjustable bullet feet
- * Shipped Standard **Welded Set-Up**, available knocked-down must specify
- * Optional drawers, casters, pot racks, etc. available
- * All models are approved by the National Sanitation Foundation and the U.S. Department of Agriculture.



CONSTRUCTION:

- * Stainless Steel Bases are TIG welded
Exposed welds are polished to match adjacent surface

MATERIAL:

Top: High Density Polyethylene
 Frame: 1 1/2" Square O.D. 18 gauge type 300 tubular stainless steel # 3 polish, satin finish
 Bracing: 1 1/4" Round O.D. 18 gauge type 300 tubular stainless steel # 3 polish, satin finish
 Legs: 1 5/8" Round O.D., 16 gauge type 300 tubular stainless steel # 3 polish, satin finish
 Feet: 1" adjustable stainless steel bullet feet

OPTIONAL ACCESSORIES

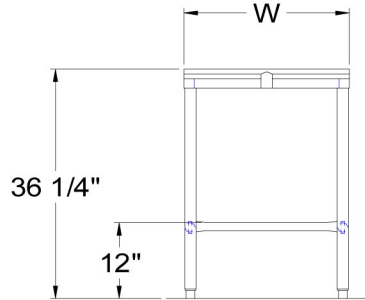
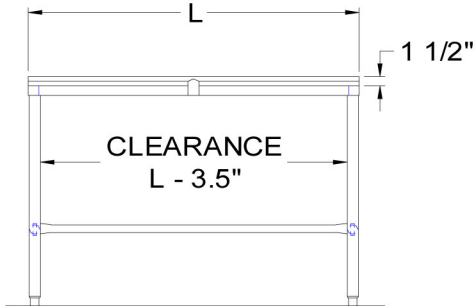
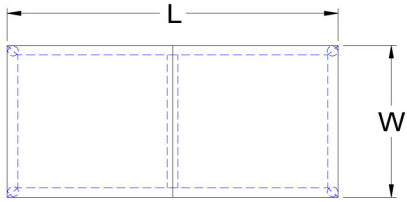
	MODEL #	Qty
DRAWER		
DRAWER LOCK		
CASTERS		
LOWER SHELVES		
MEAT BOAT RACK		
PAPER HOLDER		
POT RACK		
K.D. easy - to - assemble		



R.W. Rogers Company
 610 S. Kirk Rd., St. Charles, IL 60174
 Phone: 630-377-9033 * Fax: 630-377-2073
<http://www.rwrogerscompany.com>



DETAILED SPECIFICATIONS



Shipped Standard Welded Set-Up

Units 7 ft. and larger are furnished with six legs.

All dimensions are typical.

Tolerance +/- .500".

1 1/2" HIGH DENSITY POLYETHYLENE TOP & BRACING

L	24" WIDE	WT.	30" WIDE	WT.	36" WIDE	WT.
24	GMT001	59	-	-	-	-
30	GMT002	67	GMT008	79	-	-
36	GMT003	76	GMT009	89	GMT014	102
40	GMT004	84	GMT010	96	GMT015	110
50	GMT005	101	GMT011	120	GMT016	133
60	GMT006	116	GMT012	137	GMT017	159
72	GMT007	133	GMT013	150	GMT018	183



R.W. Rogers Company
 610 S. Kirk Rd., St. Charles, IL 60174
 Phone: 630-377-9033 * Fax: 630-377-2073
<http://www.rwrogerscompany.com>

