



"TC-1" Stainless Steel Cutting Tables

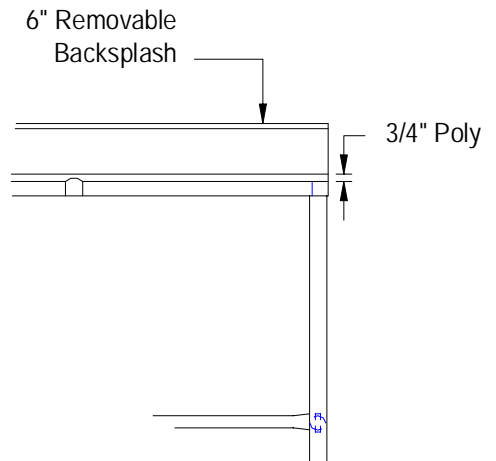
- w/ 3/4" High Density Polyethylene
- w/ 6" Removable Backsplash
- w/ Stainless Steel Base and Bracing



| 3/4" POLY TOP w/ STAINLESS STEEL BASE and BRACING | | | | | |
|---------------------------------------------------|-----|---------|-----|---------|-----|
| 24"WIDE | Qty | 30"WIDE | Qty | 36"WIDE | Qty |
| TC001 | | TC008 | | TC015 | |
| TC002 | | TC009 | | TC016 | |
| TC003 | | TC010 | | TC017 | |
| TC004 | | TC011 | | TC018 | |
| TC005 | | TC012 | | TC019 | |
| TC006 | | TC013 | | TC020 | |
| TC006A | | TC013A | | TC020A | |
| TC007 | | TC014 | | TC021 | |

FEATURES:

- * 3/4" thick **High Density Polyethylene Top**, sectioned per NSF regulation also available with 1/2" Or 1" thick High Density Polyethylene and 1 1/2" thick Hard Rock Maple Top, top style "SCT" flat top
- * One piece High Density Polyethylene Top available at no extra charge must specify
- * Top is held in place by welded clips, removable for ease in cleaning
- * **Stainless Steel Base, Bracing and 6" Removable Backsplash**
- Type 300 stainless steel with # 3 polish, satin finish
- * Adjustable bullet feet
- * Shipped Standard **Welded Set-Up**, available knocked-down must specify
- * Optional drawers, casters, pot racks, etc. available
- * All models are approved by the National Sanitation Foundation and the U.S. Department of Agriculture.



CONSTRUCTION:

- * Stainless Steel Bases are TIG welded
- Exposed welds are polished to match adjacent surface

MATERIAL:

- Top: High Density Polyethylene
- Frame: 1 1/2" Square O.D. 18 gauge type 300 tubular stainless steel # 3 polish, satin finish
- Bracing: 1 1/4" Round O.D. 18 gauge type 300 tubular stainless steel # 3 polish, satin finish
- Legs: 1 5/8" Round O.D., 16 gauge type 300 tubular stainless steel # 3 polish, satin finish
- Backsplash: 16 gauge type 300 stainless steel, # 3 polish, satin finish
- Feet: 1" adjustable stainless steel bullet feet

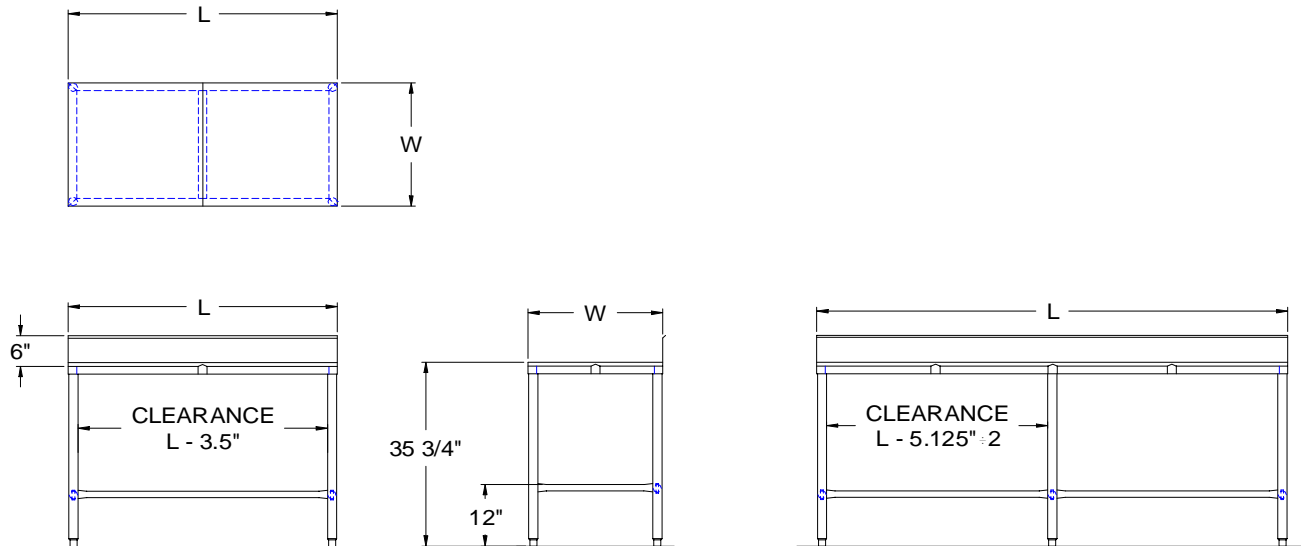
OPTIONAL ACCESSORIES

| | MODEL # | Qty |
|---------------------------|---------|-----|
| DRAWER | | |
| DRAWER LOCK | | |
| CASTERS | | |
| LOWER SHELVES | | |
| MEAT BOAT RACK | | |
| PAPER HOLDER | | |
| K.D. easy - to - assemble | | |

John Boos & Co

315 South First Street - Effingham, IL 62401
 Phone: 217-347-7701 - Fax: 217-347-7705
 Email: sales@johnboos.com - Web-site: www. johnboos.com

DETAILED SPECIFICATIONS



Shipped Standard Welded Set-Up

Units 7 ft. and larger are furnished with six legs.

All dimensions are typical.

Tolerance +/- .500".

3/4" HIGH DENSITY POLYETHYLENE TOP & BRACING

| L | 24" WIDE | WT. | 30" WIDE | WT. | 36" WIDE | WT. |
|-----|----------|-----|----------|-----|----------|-----|
| 36 | TC001 | 54 | TC008 | 61 | TC015 | 68 |
| 48 | TC002 | 66 | TC009 | 77 | TC016 | 86 |
| 60 | TC003 | 77 | TC010 | 94 | TC017 | 101 |
| 72 | TC004 | 92 | TC011 | 109 | TC018 | 122 |
| 84 | TC005 | 107 | TC012 | 132 | TC019 | 149 |
| 96 | TC006 | 119 | TC013 | 141 | TC020 | 164 |
| 108 | TC006A | 134 | TC013A | 155 | TC020A | 177 |
| 120 | TC007 | 148 | TC014 | 168 | TC021 | 189 |

John Boos & Co

315 South First - Effingham, IL 62401 Phone: 217-347-7701 - Fax: 217-347-7705

Email: sales@johnboos.com - Web-site: www.johnboos.com



March 2009

John Boos is constantly engaged in a program of improving products and therefore reserves the right to change specification without prior notice